

# POLYTOUCH® FLEX 21.5



Pictures show sample configurations, real product may vary.



## DISPLAY

Front	1.2 mm strengthened glass
Coating	Anti-Glare
Surface hardness	7H
Display size	21.5"
Aspect ratio	16:9
Display type	Active matrix TFT LCD with LED backlighting, A+ Grade
Resolution	1920 x 1080 (Full HD)
Colors	16.7 million
Brightness	250 cd/m <sup>2</sup>
Viewing angle	Horizontal (left/right): 170° /vertical (up/down): 170°
Contrast ratio	1000:1
Backlight lamp life	typ. 30,000 hours to half brightness
Touch technology	PCAP, OGS

## COMPUTER UNIT

Processor	10 <sup>th</sup> Generation Intel® Core™ i
Chipset	Intel® Q470E
Graphics	Intel® UHD 630
Memory	8 GB DDR4
Storage	128 GB mSATA SSD
LAN	2 x 1GbE LAN
WiFi 6E	IEEE 802.11ax 2.4/5 Ghz with antenna*
OS*	Windows® 11

\* optional

## POWER

Power input	C13, 100 – 240 V AC, 50/60 Hz
Power consumption	Average 50 W, peak 120 W

## SYSTEM

Material	Steel, powder coated
Dimensions (WxDxH)	5.95 x 12.53 x 22.78 in
Weight	19 kg
Mounting	Desk mount, wallmount, pedestal
Colour	RAL 9010, RAL 7016 (side body)

## CONFIGURATION

Scanner/Imager	Zebra MS4717 OR Datalogic Magellan 1500i
Payment ready	Verifone P400 OR Ingenico Lane 3000 OR 5000 OR PAX S300 others on request
Printer	80 mm thermal printer Custom P3 OR Epson TM-T88VII
Camera Intel® RealSense*	

\*optional

## ENVIRONMENTAL CONDITIONS

	Storage	Operating
Temperature	-20°C to +60°C	15°C to 35°C
Humidity	5% to 95% <sup>1</sup>	20% to 90% <sup>1</sup>

<sup>1</sup> non-condensing

## CERTIFICATIONS

CE, FCC<sup>2</sup>, UL<sup>2</sup>

<sup>2</sup> depending on configuration

## PACKAGING & INDIVIDUAL WEIGHTS

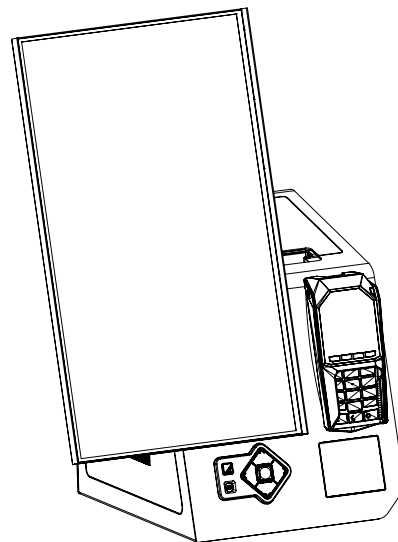
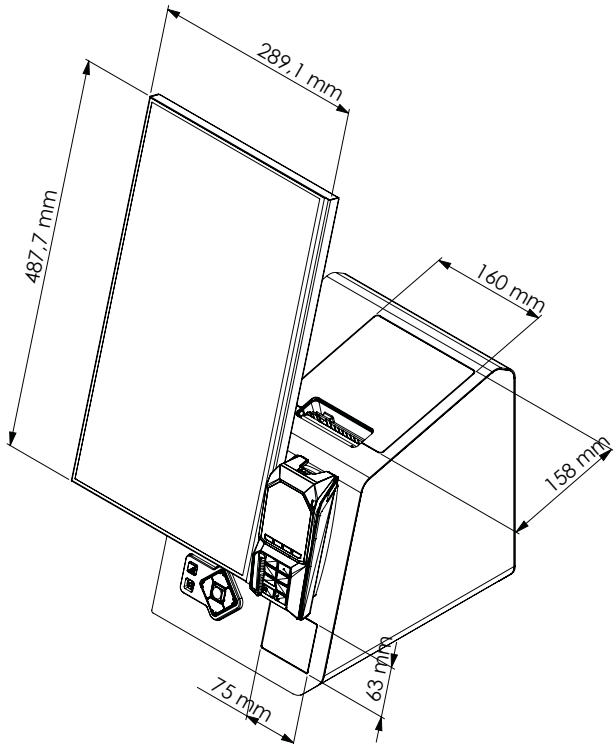
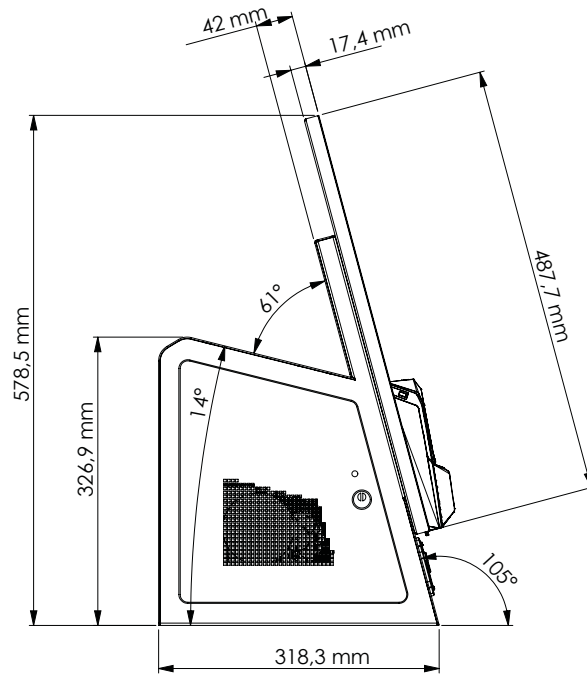
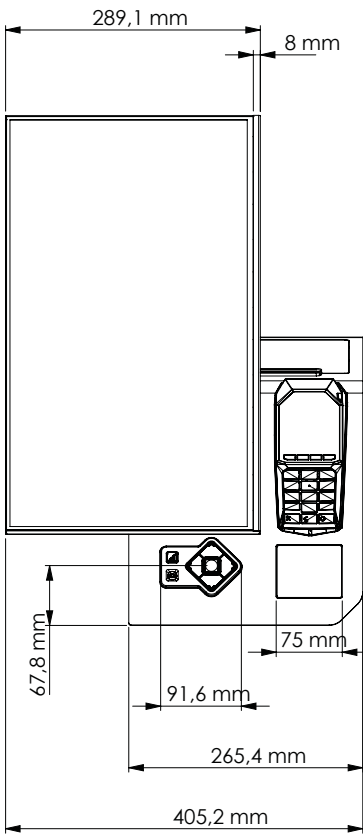
	Weight net gross	Dimensions	Stack
Complete system	19 kg 25 kg	685 x 385 x 485 mm	max. 3 systemes on top of each other

## INTENDED USE/APPLICATION

The device is only to be used as a touch panel in combination with the intended fastening elements (pedestal, wall or table bracket). Other mounting elements must be specified accordingly for the device. The central component of the system consists of a computer with a touch screen. The touchscreen uses Projective Capacitive Technology (PCT) to recognize touch. The system is supplemented by built-in peripheral components. The device can be connected to an IT power distribution system.

## DIMENSIONS

Pictures show sample configurations, real product may vary.



## DIMENSIONS

Pictures show sample configurations, real product may vary.

