

PLS Hub

HIGHLIGHTS

- Compact and quiet server system
- DIN Rail, wall mount or rack option
- Lockable front bezel optional



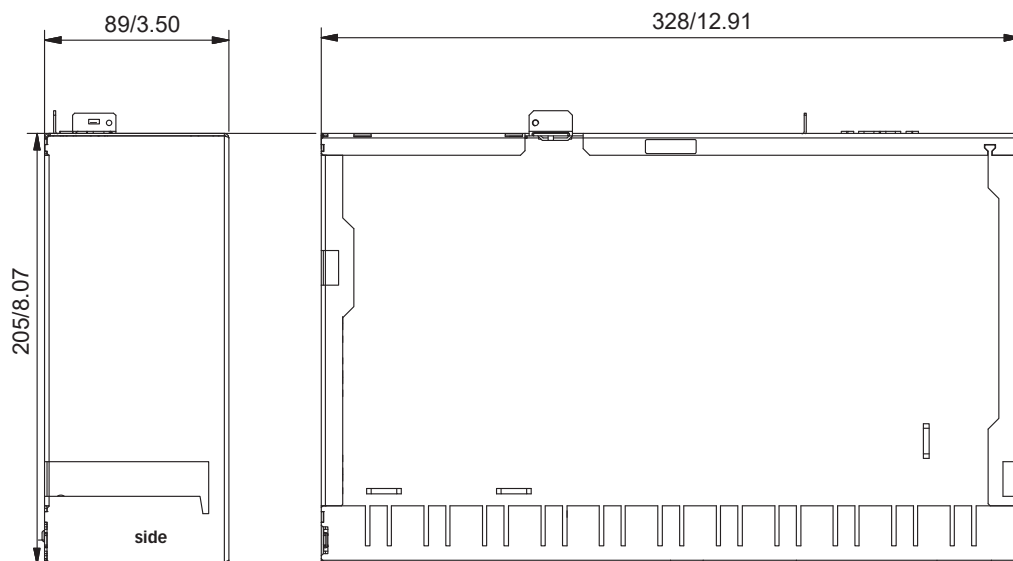
OVERVIEW

CHASSIS	Material	Stainless steel, powder coated		
	Dimensions (W x D x H)	328 x 205 x 89 mm/12.91 x 8.07 x 3.50 inch (without wallmount)		
	Mounting	Desktop, optional 19" 2U rack, wall mount or DIN rail		
	Weight	3.3 kg		
DETAILS	CPU, graphics	Intel® Atom Processor E3940 (4 x 1.80 GHz), Intel® HD Graphics		
	Chipset	System-on-Chip (SoC)		
	Memory	8 GB DDR4		
	Storage	1 x 256 GB M.2 SSD		
	LAN	2 x GbE (Intel® I210A)		
	Rear I/O	2 x USB (2 x 2.0, 2 x 3.0)		
		2 x RJ45		
		1 x VGA		
		1 x HDMI 1.4		
		1 x DisplayPort 1.2		
Front I/O	Button / LED			
Dust protection	Filter on bottom side			
Cooling	Active			
Performance test	BurnIn	Idle	Standby	
	13 W	8.5 W	1 W	
POWER SUPPLY	Voltage/current	100-240 V AC, 1.5-3 A		
ENVIRONMENTAL CONDITIONS		Operating	Storage	
	Temperature	10-40°C	-10-70°C	
	Humidity	10-80%	10-95%	
	Protection class	IP20		
CERTIFICATIONS	Product certification	CE, FCC		
PACKING	Dimensions	390 x 300 x 190 mm/15.35 x 11.81 x 7.48 inch		

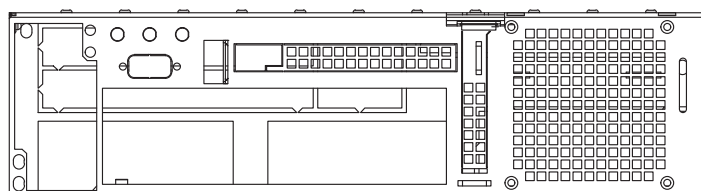
Pictures show sample configurations, real product may vary.

PLS Hub

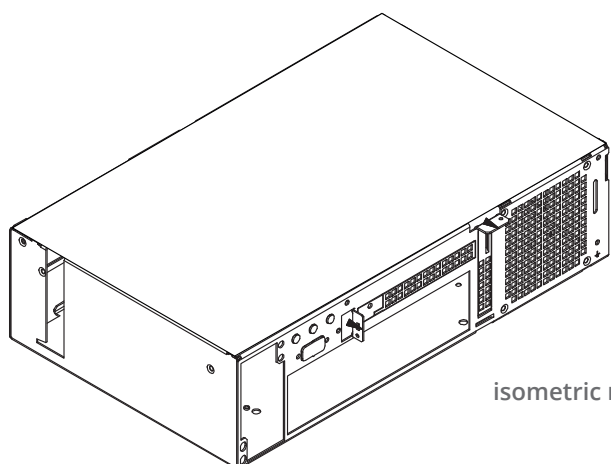
Dimensions (in mm/inch)



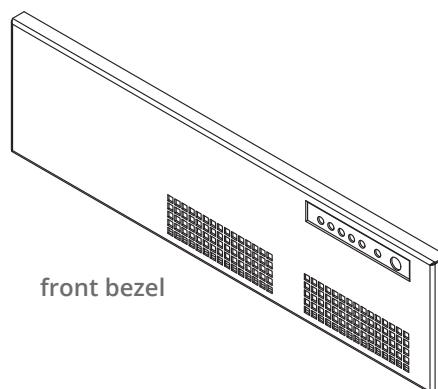
top



rear



isometric rear



front bezel

Pictures show sample configurations, real product may vary.