

POLYTOUCH® PSYCO

4010081389 (Zebra SM72)

4010081391 (Datalogic 3450i)

4010081392 (Zebra MP72 Serie)

4010081393 (Datalogic 9800i)



Pictures show sample configurations, real product may vary.



DISPLAY

Display size	15.6"
Angle of inclination	Freely adjustable
Aspect ratio	16:9
Surface hardness	7H
Resolution	1920 x 1080
Brightness	300 cd/m ²

COMPUTER UNIT

Processor	Intel® Celeron® J6412 1.5 M Cache, up to 2,60 GHz
Operating system	Windows 10 IoT /11*
Memory	8 GB Standard, DDR4 3200 MT/s
SSD	128 GB NVMe
Audio	HD Audio Codec

*in preparation

POWER

Power input	100-240 V AC, 50/60 Hz
Power consumption	25 W Idle* 40 W FullLoad*

*no active print/scan job

INTERFACES

Interfaces (Display back)	1 x COM1 (RJ-45 with 5 V/12 V Power Output 6 Pins, BIOS) 1 x COM2 (RJ-45 full signal) 1 x COM3 (RJ-45 full signal) 2 x USB 3.0 1 x USB 2.0 1 x USB-C 1 x MiniDP (alternative connection via USB-C, only TX / RX, 12 V Power Output, reserved for CDP) 1 x DC-in (4-pin DIN jack adapter 24 V, 6.35 A (Powered USB + external IO-Hub Option)) 1 x LAN Gigabit Ethernet (RJ-45) 1 x Audio Line-out 1 x Power button
Interfaces (Display side)	1 x PinHeader, only TX/RX, 5 V Power Output, reserved for MSR)
Interfaces (Display bottom)	1 x LAN (RJ-45) 4 x USB 2.0 1 x Cash drawer kicker (RJ11)
Expansion slots	1 x m.2 (2242) for SSD Extension 1 x m.2 WiFi / BT

CONFIGURATION

Scanner/Imager	Zebra SM72 OR Datalogic 3450i OR Zebra MP72 Serie OR Datalogic 9800i
Printer	80 mm thermal printer Epson TM-T88-VII
Handheld scanner	Datalogic Gryphon GD4520 2D Barcode Scanner USB
External I/O Hub*	1 x Powered USB 2.0 (12 V), 2 x USB 2.0 1 x Powered USB 2.0 (24 V), 2 x RJ-45 (full signal)
Speaker*	2 x 1 W (Stereo)

*optional

SYSTEM

Dimensions (WxDxH)	see drawings
Weight	12 kg (4010081389 + 4010081391) 25 kg (4010081392 + 4010081393)
Colour	RAL 7016; RAL 9010

CERTIFICATIONS

CE, FCC²
²pending

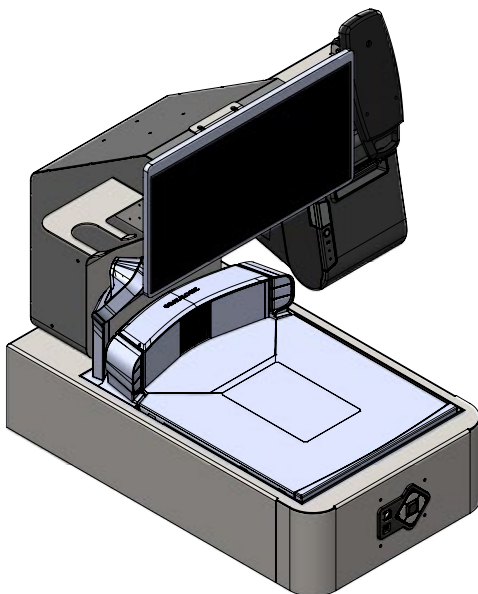
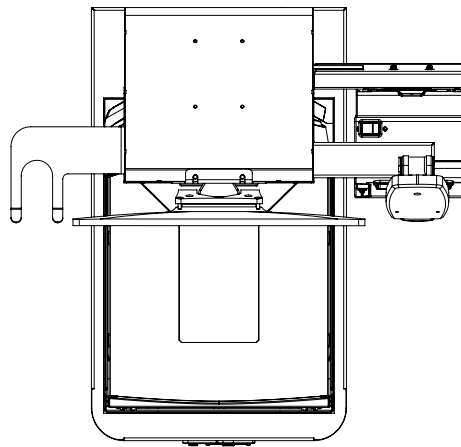
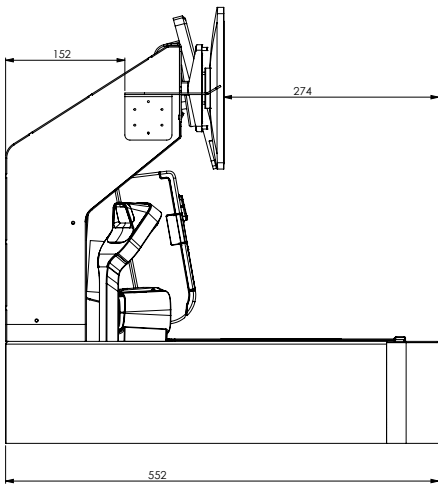
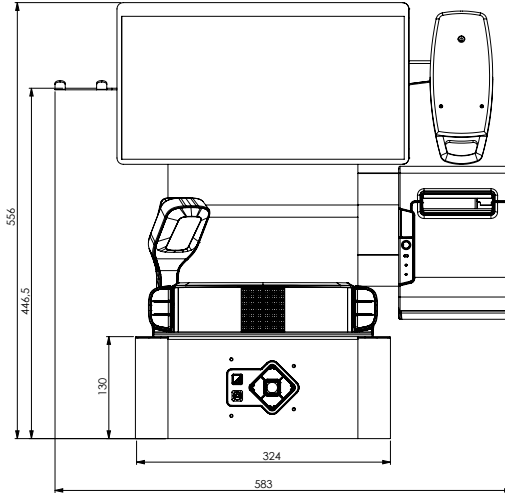
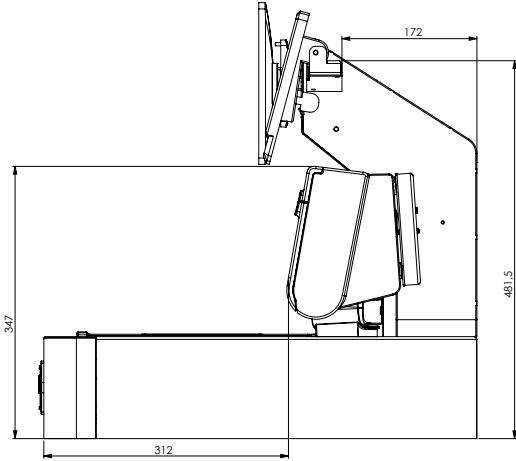
INTENDED USE

The device may only be used as a touch panel in combination with the provided mounting elements (desk mount). Other mounting elements must be specified accordingly for the device. The central component of the system consists of a computer with a touchscreen. The touchscreen uses projective capacitive technology (PCT) to detect touches. The system is supplemented by built-in peripheral components. The device can be connected to an IT power distribution system.

DIMENSIONS

Pictures show sample configurations, real product may vary.

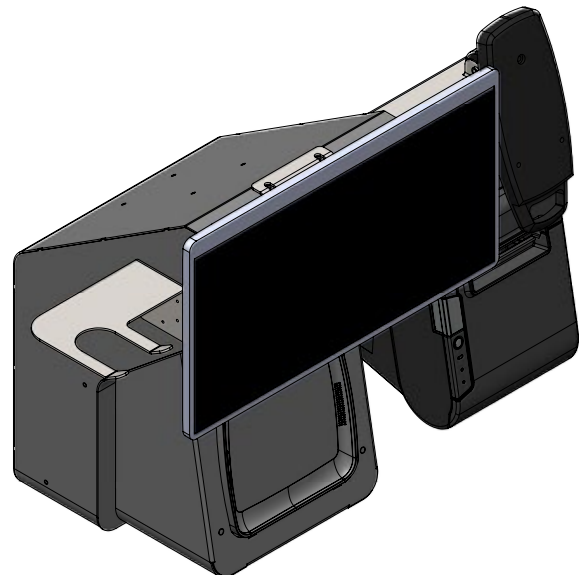
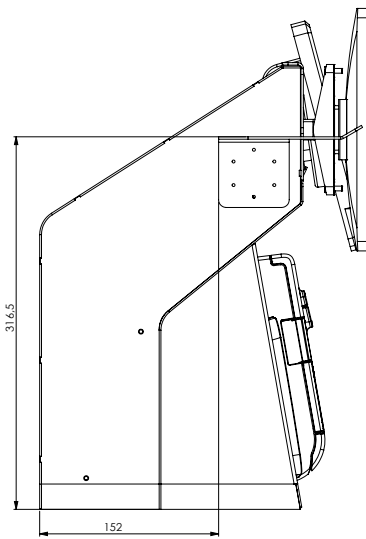
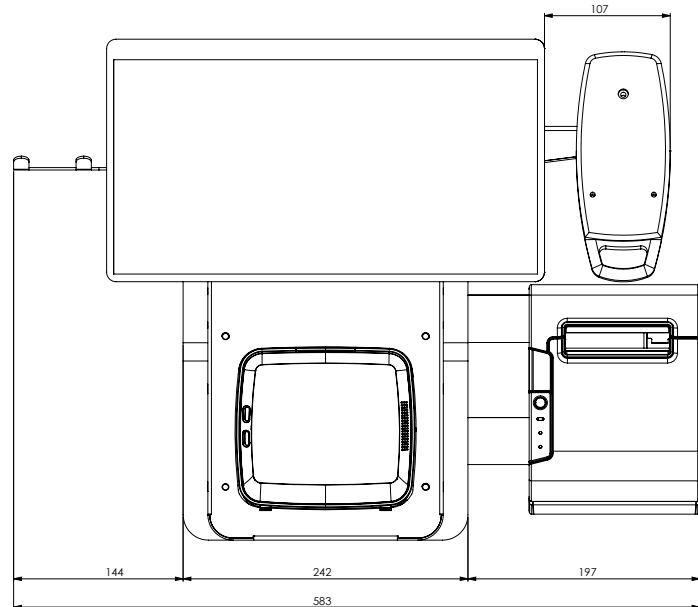
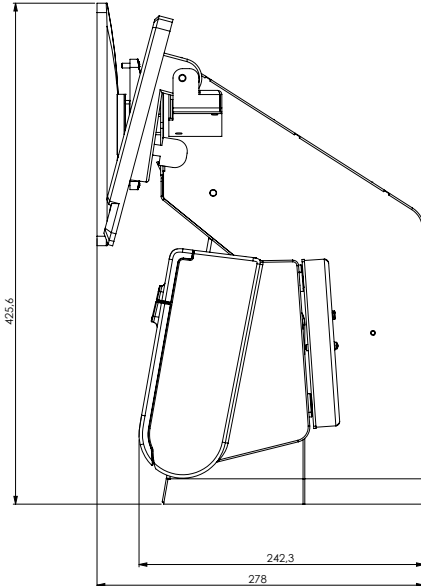
4010081392 · 4010081393



DIMENSIONS

Pictures show sample configurations, real product may vary.

4010081391



DIMENSIONS

Pictures show sample configurations, real product may vary.

4010081389

