



Pictures show sample configurations, real product may vary.



COMPUTER UNIT

Processor	Intel® Core™ processors (12 th /13 th /14 th Gen)
Graphics	Intel® UHD Graphics 7xx
Chipset	Intel® Q670E
Memory	up to 128 GB DDR5
Storage	up to 4 TB M.2 NVMe SSD BootDrive up to 4 TB NVMe Datadrive
LAN	1 x 1 GbE (Intel® i219LM) 2 x 2.5 GbE (Intel® i226LM)
Remote Management	Intel® iAMT
Expansion slots	1 x PCIe x16 1 x PCIe x4 2 x PCIe x1
Front I/O	4 x DisplayPort V1.4a up to 8K 3 x RJ45 4 x USB 3.2 Gen1 (Type-A) 1 x USB 3.2 Gen 2 (Type-C) 4 x USB 3.2 Gen2 (Type-A) 1 x RS232 Audio AC-in Power button
Rear I/O	Dust filter (exchangeable)
Cooling	Active

POWER

Power supply	100-240 V AC
Power consumption	TBD

SYSTEM

Dimensions (WxDxH)	316 x 316 x 133 mm
Material	Steel, RAL 9005 powder coated
Weight	Approx. 6 kg
Mounting	Desktop, Wallmount

ENVIRONMENTAL CONDITIONS

	Storage	Operating
Temperature	-20°C to +60°C	0°C to 35°C
Humidity	10% to 95% ¹	10% to 80% ¹

¹non-condensing

CERTIFICATIONS

CE

PACKAGING & INDIVIDUAL WEIGHTS

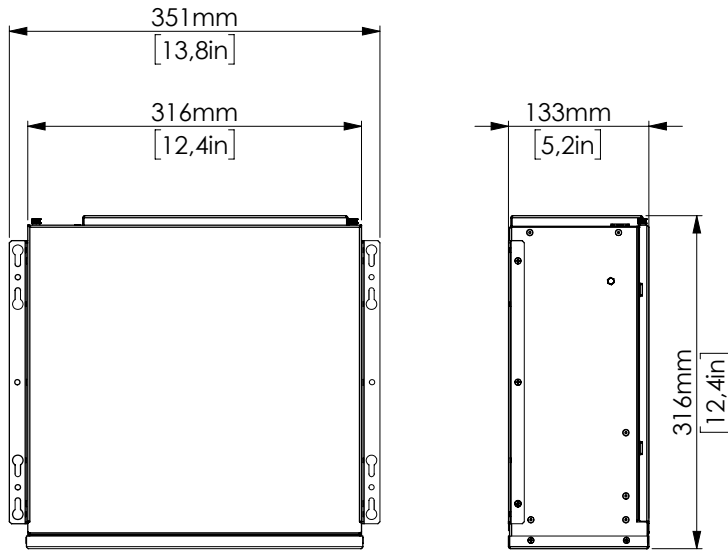
	Weight gros	Dimensions	Stack
System	Approx. 7 kg	416 x 414 x 268 mm	—

INTENDED USE

The AKHET IPC is intended for use as a control system in engineering industry, for automation, visualization or communication. The device is developed for a working environment that meets protection class IP20.

DIMENSIONS

Pictures show sample configurations, real product may vary.



MOUNTING

Note: It is important to ensure that the dowels and screws used as well as the condition of the wall are suitable for a load of 3 times the system weight!

