

## polytouch® curve 32" SIM card kiosk



### HIGHLIGHTS

- Integrated PC-Box  
Intel® Core™ i5-6500TE (Skylake)
- Minimal footprint, perfect for retail
- Integrated document scanner,  
thermal printer, SIM card dispenser
- Ruggedized Full HD display  
(1920 x 1080)
- Integrated Android cube
- Proprietary face analysis technology

### OVERVIEW

#### DISPLAY

Screen size	82 cm (32")
Resolution	1920 x 1080 (Full HD)
Brightness	500 cd/m <sup>2</sup>
Contrast	3000 : 1
Viewing angle	178° h/v
Bonding	Optical bonding
Coating	Glare
Cover glass	Thermally Strengthened
Display orientation	Portrait
Connector	HDMI, DVI, VGA, LVDS

*Pictures show sample configurations, real product may vary.*

1/3

# polytouch<sup>®</sup> curve 32" SIM card kiosk

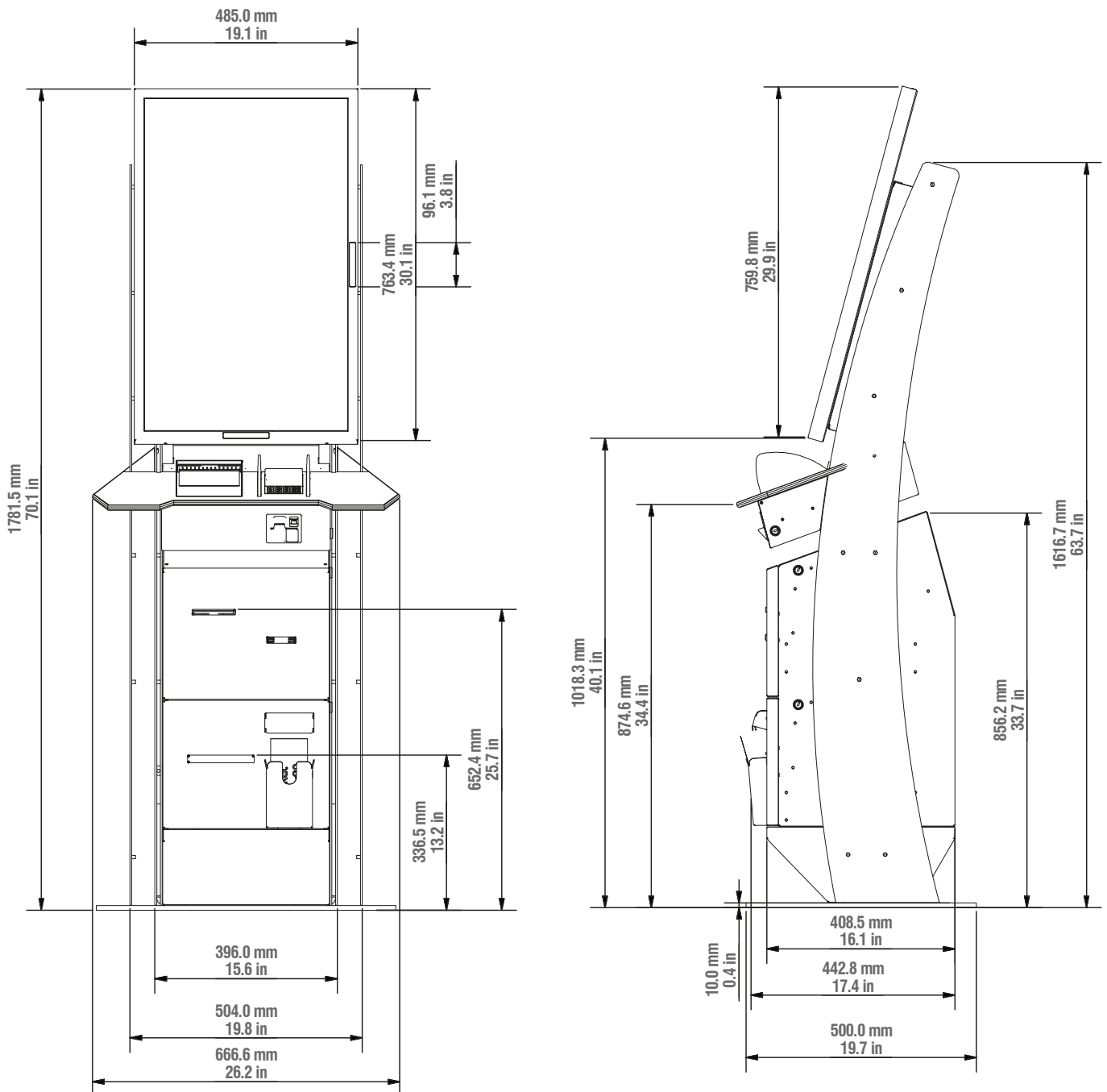
## OVERVIEW

<b>TOUCHSENSOR</b>	Touch technology	Projected Capacitive Touch (PCT)	
	Glass-sensor-structure	Glass-Glass (GG)	
	Front	3 mm strengthened glass	
	Simultaneous touches	10 touches	
	Latency	< 10 ms	
<b>CHASSIS</b>	Input Method	Finger or capacitive stylus	
	Material	Stainless steel, powder coated	
	Dimensions (H x W x D)	791 x 486 x 78 mm/31.14 x 19.13 x 3.07 inch	
	Weight	Display only ..... approx. 22 kg PC Box ..... approx. 5 kg	
	Mounting	Pedestal	
<b>COMPUTER UNIT (PC-BOX)</b>	Frame colours/material	RAL 9010 (white)	
	Processor	Intel® Core™ i5-6500TE Skylake 4C/4T 2.3 Ghz 6 MB	
	Chipset	Intel® Q170 Chipset	
	Graphics	Intel® HD530 Graphics	
	Memory	8 GB DDR4	
	Storage	256 GB mSATA SSD	
	LAN	2 x 1GbE LAN	
	OS	Microsoft® Windows® 10 IoT Enterprise 2019	
	Interfaces	2 x USB 2.0	
		4 x USB 3.0 2 x LAN 2 x COM 1 x ATX-Button	
<b>POWER (INCL. PC-BOX)</b>	Power supply	Internal, max. 350 W, active cooling	
	Input voltage	100-240 V AC, 50-60 Hz	
<b>PEDESTAL</b>	Material	Steel, powdercoated	
	Dimensions (H x W x D)	1730 x 780 x 500 mm/68.11 x 30.71 x 19.69 inch (upper position)	
		1650 x 780 x 500 mm/64.96 x 30.71 x 19.69 inch (lower position)	
		1450 x 485 x 275 mm/57.09 x 19.09 x 10.83 inch (Wallmount)	
	Weight pedestal	TBD	
	Weight pedestal + display	TBD	
	Mounting	Stand-alone	
Colour	RAL 9010 (white)		
Inlay colour	RAL 9005 (black)		
Display angle	20°		
<b>PERIPHERALS</b>	Printer	80 mm/3.15 inch thermal printer	Nippon Primex Boca Lemur-X Zebra ZD420
	Scanner	Passport scanner	Desko Penta Cube
	Payment module		Feig cVEND
	Card dispenser		Mutek F35v2
	Camera		Intel® RealSense D415
<b>CERTIFICATIONS</b>	CE		

ds\_pt32\_curve\_SIM\_kiosk\_EN · 10.08.21 · specification is subject to change

## polytouch<sup>®</sup> curve 32" SIM card kiosk

### Dimensions



ds\_pt32\_curve\_SIM\_kiosk\_EN · 10.08.21 · specification is subject to change

*Pictures show sample configurations, real product may vary.*