

Pictures show sample configurations, real product may vary.

DISPLAY

Display Size [inch]	21.5
Aspect Ratio	16 : 9
Resolution	1920 × 1080
Active Area [mm]	476.06 × 267.78
Brightness [cd/m ²]	1000+
Contrast Ratio	1000 : 1
LED life time [h]	100,000
Viewing Angle [°]	150 / 178
Display Interface	LVDS

TOUCH PANEL

Touch Type	Projected Capacitive 10-point Multi-touch
Printing Type	Ceramic
Glass Thickness [mm]	2.0
Cover Glass Surface Treatment	AG (chemical etching)
IK Protection	IK08
Printing Color	RAL9004 (Black)
Strengthening	Thermally Strengthened
Touch Controller	EXC81W84
Touch Interface	USB
Touch Resolution RX	74
Touch Resolution TX	42
Optical Bonding	Clear Bond®

PC/MONITOR SYSTEM

Processor	Intel Atom® x6211E (Elkhart Lake)
Standard Operating System	Debian 12 ¹
OS Available on Request (additional fee)	Linux Ubuntu 22.4, Windows 10 & 11
RAM Size	8 GB DDR4
SSD Size	120 GB
Loudspeaker	2× 2W
Wifi	Intel® AC 3168
Ambient Light Sensor	1
HDMI	1
DP	1
Audio In / Out	1 (Realtek® ALC897 Audio CODEC)
USB 2.0	2
USB 3.2	2
Ethernet Network (10/100/1000 Mbit/s)	2 Realtek® 8111H (LAN 1 PoE option, LAN 2) ²
Serial Port RS232 (RX / TX only)	2
SD Card Slot	1
SIM Card Slot ³	1

ENVIRONMENTAL CONDITIONS

Operation Temperature	-10°C to 60°C
Storage Temperature	-20°C to 70°C
Humidity Range	10% to 90%

CERTIFICATIONS

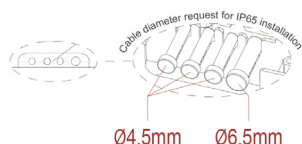
CE Certificate	Yes
FCC Certificate	Yes

CHASSIS

Case Design	SS-IP65
IP Protection	Full IP65
Case Color	Silver
Case Finish	Brushed
Case Material	Stainless Steel
Case size L × W × H [mm]	527.3 × 214.4 × 62.7
Mounting	VESA 100 × 100

IP65 SEALING

Above connectors are sealed behind the back protection plate, with unique IP65 sealing for standard cables.



¹ faytech Tech Co., Ltd. is not affiliated with Debian. Debian is a registered trademark owned by Software in the Public Interest, Inc.

² To enable Power over Ethernet (PoE), the PoE Module accessory is required.

³ Requires additional LTE module and antenna before being able to use this slot

ACCESSORIES

Power Adapter	100-240V ACDC active switching; 12V DC-Out
Wifi Antenna	RP-SMA female
Short Instruction Manual	Yes
Power over Ethernet (PoE)	No, available upon request

POWER

Power Indicator	Green LED
Working Power	9-36V
Power Consumption	64W
Stand-By Consumption	<1.2W

INTENDED USE/APPLICATION

The device is to be used as (touchscreen) display for semi-outdoor and indoor use as control panel, digital signage, way-finding, POS and similar applications.

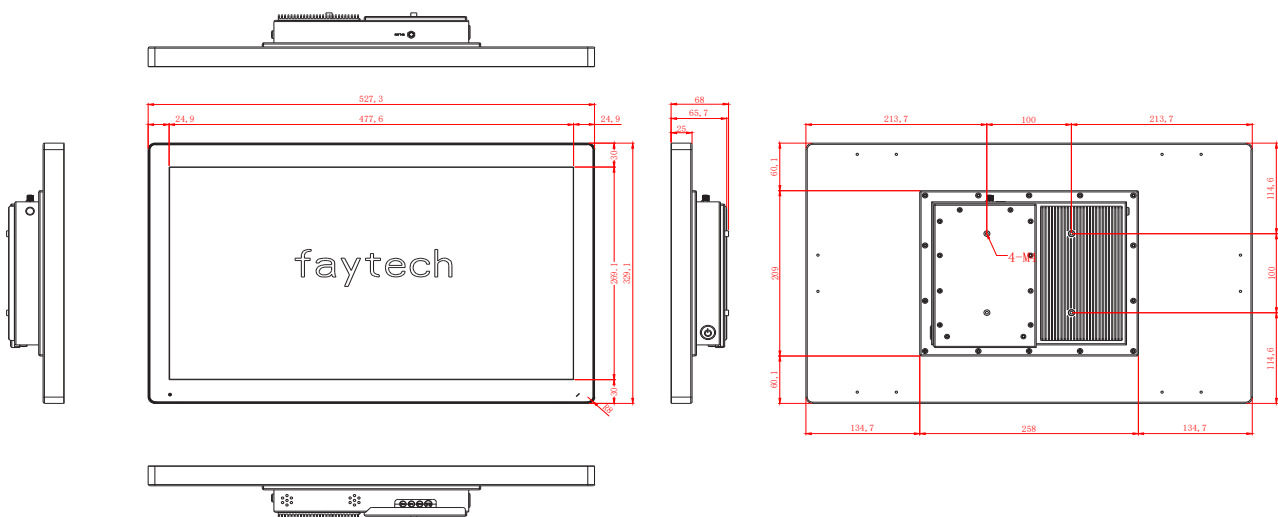
Direct sunlight might increase the device temperature beyond the allowed storage and operation conditions. Therefore the devices must be protected against direct sunlight. Devices operated or stored outside the specified temperature ranges are not covered by warranty.

WEIGHT & PACKAGING

Net Weight	~10.30 kg est.
Gross Weight	~10.80 kg est. (incl. Cartonage)
Packaging Material	100% recyclable cardboard and polyethylene (PE)
Packaging Size L × W × H [mm]	700.0 × 430.0 × 110.0

DIMENSIONS

21.5" IP65 CAPACITIVE TOUCH PC X6211E



UPDATE NOTES:

Version:	Changes:
v1	First version

