



Pictures show sample configurations, real product may vary.

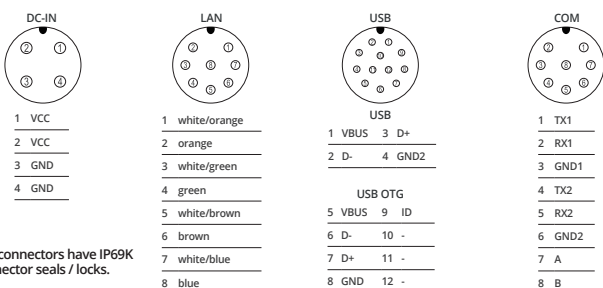
DISPLAY

Display Size [inch]	21.5
Aspect Ratio	16 : 9
Resolution	1920 × 1080
Active Area [mm]	476.64 × 268.11
Brightness [cd/m²]	1000+
Contrast Ratio	1000 : 1
LED life time [h]	100,000
Viewing Angle [°]	178 / 178
Display Interface	LVDS

PC/MONITOR SYSTEM

Processor	Amlogic A311D
Chipset	Quad-Core Cortex-A73 + Dual-core Cortex-A53
Standard Operating System	Android 9
OS Available on Request (additional fee)	Linux Ubuntu 22.4, Debian 12 *
RAM Size	4 GB LPDDR4
EMMC Size	64 GB eMMC 5.1
GPU	Mali G52 MP4
NPU	5.0Tops
Loudspeaker	2× 2W
Wifi + BT	RTL8821 + Bluetooth 4.0
Ambient Light Sensor	1
IP69K 9-36V DC-IN connector (M12, 4 pin)	1
IP69K LAN connector (M12, 8 pin)	1
IP69K USB + USB OTG connector (M12, 12 pin)	1
IP69K COM connector (M12, 8 pin)	1

M12 CONNECTOR PIN DEFINITION



The connectors have IP69K connector seals / locks.

TOUCH PANEL

Touch Type	Projected Capacitive 10-point Multi-touch
Printing Type	Ceramic
Glass Thickness [mm]	2.0
Cover Glass Surface Treatment	AG (chemical etching)
IK Protection	IK08
Printing Color	RAL9004 (Black)
Strengthening	Thermally Strengthened
Touch Controller	EXC81H84
Touch Interface	USB
Touch Resolution RX	74
Touch Resolution TX	42
Optical Bonding	Clear Bond®

ENVIRONMENTAL CONDITIONS

Operation Temperature	-10°C to 60°C
Storage Temperature	-20°C to 70°C
Humidity Range	10% to 90%

CERTIFICATIONS

CE Certificate	Yes
FCC Certificate	Yes

CHASSIS

Case Design	SS-IP69K
IP Protection	Full IP69K
Case Color	Silver
Case Finish	Brushed
Case Material	Stainless Steel
Case size L × W × H [mm]	527.3 × 329.1 × 58.0
Mounting	VESA 100 × 100

¹⁾ faytech Tech Co., Ltd. is not affiliated with Debian. Debian is a registered trademark owned by Software in the Public Interest, Inc.

ACCESSORIES

Wifi Antenna	RP-SMA female
Power Adapter & DC-In IP69K Cable	Yes (3030509550)
LAN IP69K Cable	No, available upon request (3030517368)
USB IP69K Cable	No, available upon request (3030517720)
RS232 IP69K Cable	No, available upon request (3030517721)
Short Instruction Manual	Yes

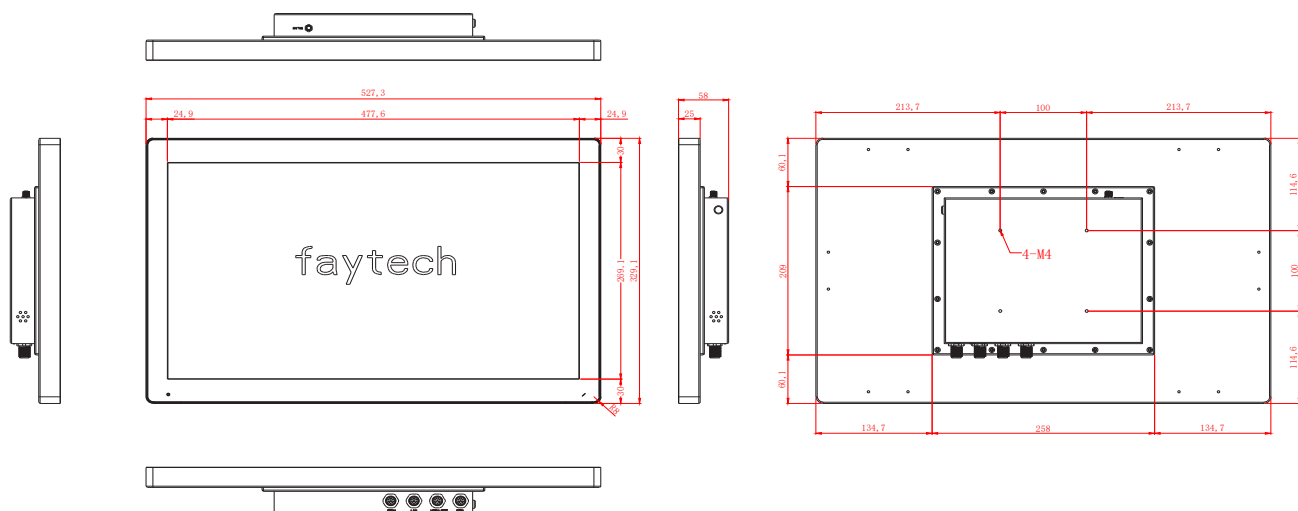
INTENDED USE/APPLICATION

The device is to be used as (touchscreen) display for semi-outdoor and indoor use as control panel, digital signage, way-finding, POS and similar applications.

Direct sunlight might increase the device temperature beyond the allowed storage and operation conditions. Therefore the devices must be protected against direct sunlight. Devices operated or stored outside the specified temperature ranges are not covered by warranty. This IP69K version is also capable to withstand high-pressure and high-temperature water jets without any issues.

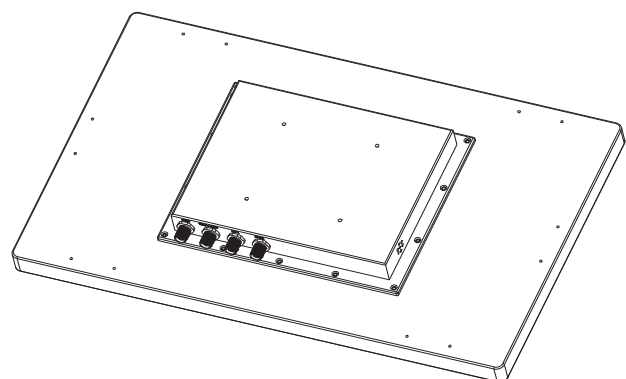
DIMENSIONS

21.5" IP69K ARM CAPACITIVE TOUCH PC A311D



UPDATE NOTES:

Version:	Changes:
v1	First version



POWER

Power Indicator	Green LED
Working Power	9-36V
Power Consumption	18.4W
Stand-By Consumption [Android / Ubuntu]	<1W / <3W

WEIGHT & PACKAGING

Net Weight	~9.80 kg est.
Gross Weight	~10.30 kg est. (incl. Cartonage)
Packaging Material	100% recyclable cardboard and polyethylene (PE)
Packaging Size L x W x H [mm]	700.0 x 430.0 x 110.0