



Pictures show sample configurations, real product may vary.

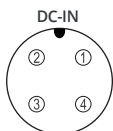
DISPLAY

Display Size [inch]	15.6
Aspect Ratio	16 : 9
Resolution	1920 × 1080
Active Area [mm]	344.16 × 193.59
Brightness [cd/m ²]	1000+
Contrast Ratio	800 : 1
LED life time [h]	100,000
Viewing Angle [°]	170 / 170
Display Interface	eDP

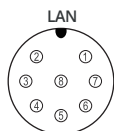
PC/MONITOR SYSTEM

Processor	Intel Atom® x6211E (Elkhart Lake)
Standard Operating System	Debian 12 ¹⁾
OS Available on Request (additional fee)	Linux Ubuntu 22.4, Windows 10 & 11
RAM Size	8 GB DDR4
SSD Size	120 GB
Loudspeaker	2× 2W
Wifi	Intel® AC 3168
Ambient Light Sensor	1
IP69K 9-36V DC-IN connector (M12, 4 pin)	1
IP69K LAN connector (M12, 8 pin)	1
IP69K USB connector (M12, 4 pin)	1
IP69K COM connector (M12, 4 pin)	1

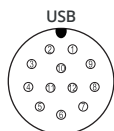
M12 CONNECTOR PIN DEFINITION



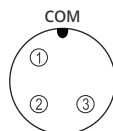
- 1 VCC
- 2 VCC
- 3 GND
- 4 GND



- 1 white/orange
- 2 orange
- 3 white/green
- 4 green
- 5 white/brown
- 6 brown
- 7 white/blue
- 8 blue



- 1 D- 7 Braid
- 2 5V 8 GND
- 3 GND 9 D+
- 4 D+ 10 Braid
- 5 D- 11 -
- 6 5V 12 -



- 1 TX
- 2 RX
- 3 GND

The connectors have IP69K connector seals / locks.

TOUCH PANEL

Touch Type	Projected Capacitive 10-point Multi-touch
Printing Type	Ceramic
Glass Thickness [mm]	2.0
Cover Glass Surface Treatment	AG (chemical etching)
IK Protection	IK08
Printing Color	RAL9004 (Black)
Strengthening	Thermally Strengthened
Touch Controller	EXC81W84
Touch Interface	USB
Touch Resolution RX	53
Touch Resolution TX	30
Optical Bonding	Clear Bond®

ENVIRONMENTAL CONDITIONS

Operation Temperature	-10°C to 60°C
Storage Temperature	-20°C to 70°C
Humidity Range	10% to 90%

CERTIFICATIONS

CE Certificate	Yes
FCC Certificate	Yes

CHASSIS

Case Design	SS-IP69K
IP Protection	Full IP69K
Case Color	Silver
Case Finish	Brushed
Case Material	Stainless Steel
Case size L × W × H [mm]	384.2 × 242.2 × 65.0
Mounting	VESA 100 × 100

¹⁾ faytech Tech Co., Ltd. is not affiliated with Debian. Debian is a registered trademark owned by Software in the Public Interest, Inc.

ACCESSORIES

Wifi Antenna	RP-SMA female
Power Adapter & DC-In IP69K Cable	Yes (3030509550)
LAN IP69K Cable [2m]	No, available upon request (3030517368)
USB IP69K Cable [2m]	No, available upon request (3030509552)
RS232 IP69K Cable [2m]	No, available upon request (3030517370)
Short Instruction Manual	Yes

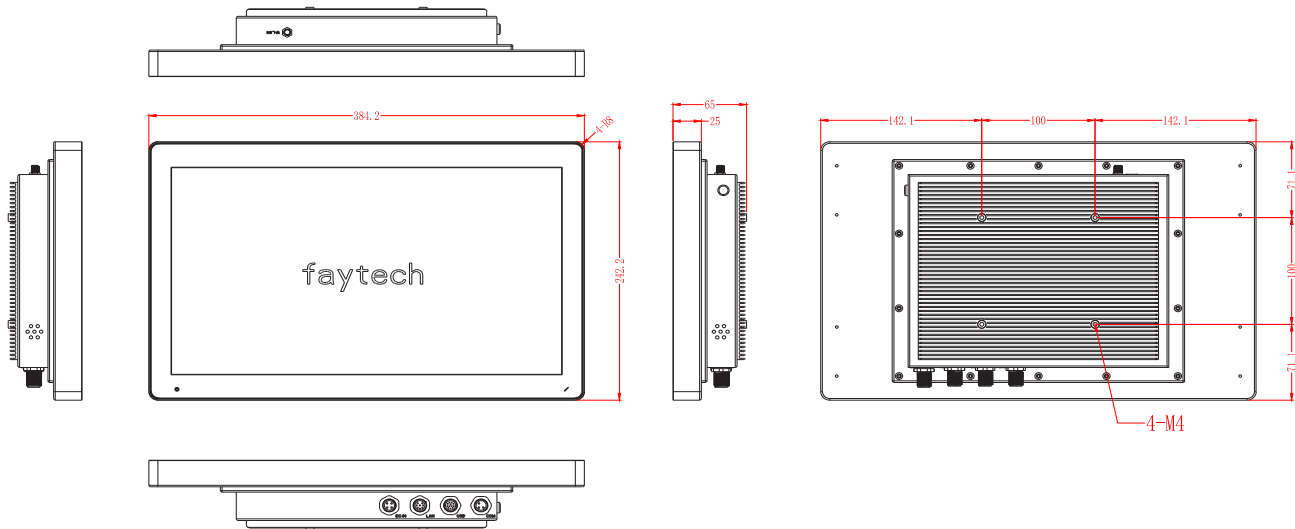
INTENDED USE/APPLICATION

The device is to be used as (touchscreen) display for outdoor or indoor use as control panel, digital signage, way-finding, POS and similar applications.

The device has a wide temperature range and is suitable for outdoor use, even in environments with direct sunlight (900 W/m² Sunlight radiation), or frequent rain showers. This IP69K version is also capable to withstand high-pressure and high-temperature water jets without any issues.

DIMENSIONS

15.6" IP69K CAPACITIVE TOUCH PC X6211E



UPDATE NOTES:

Version:	Changes:
v1	First version

POWER

Power Indicator	Green LED
Working Power	9-36V
Power Consumption	43W
Stand-By Consumption	<1.2W

WEIGHT & PACKAGING

Net Weight	~6.70 kg est.
Gross Weight	~7.20 kg est. (incl. Cartonage)
Packaging Material	100% recyclable cardboard and polyethylene (PE)
Packaging Size L x W x H [mm]	560.0 x 345.0 x 110.0

