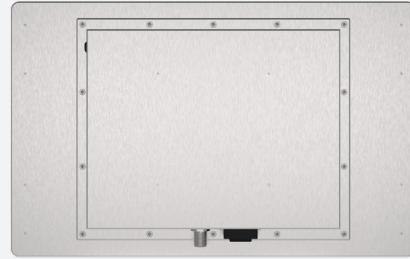
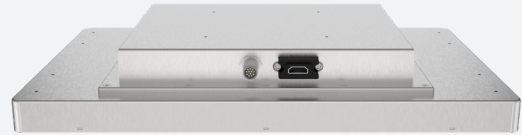


FT156TMIP69KHB

v1: GL: 3030526405 | EU: 4010084057



Pictures show sample configurations, real product may vary.

DISPLAY

Display Size [inch]	15.6
Aspect Ratio	16 : 9
Resolution	1920 × 1080
Active Area [mm]	344.16 × 193.59
Brightness [cd/m²]	1000
Contrast Ratio	800 : 1
LED life time [h]	100,000
Viewing Angle [°]	170 / 170
Display Interface	LVDS

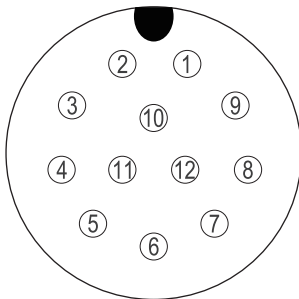
PC/MONITOR SYSTEM

Monitor Controller	Realtek® RTD2556T
Monitor Firmware	Standard
Loudspeaker	2× 2W
IP69K 9-36V M12 connector (12 pin)	1
IP69K HDMI connector	1
Ambient Light Sensor	1

Adjustable Features

Brightness, Contrast, Screen Setting, Color Temp, Color Effect, Language, Reset, Auto Adjust (see instruction manual for full details)

M12 CONNECTOR PIN DEFINITION



1	VCC (power)
2	VCC (power)
3	GND
4	GND
5	RX (serial)
6	TX (serial)
7	GND
8	Vbus (touch)
9	D- (touch)
10	D+ (touch)
11	GND
12	NC

IP69K CONNECTORS

Above connectors have IP69K connector seals / locks.

TOUCH PANEL

Touch Type	Projected Capacitive 10-point Multi-touch
Printing Type	Ceramic
Glass Thickness [mm]	2.0
Cover Glass Surface Treatment	AG (chemical etching)
IK Protection	IK08
Printing Color	RAL9004 (Black)
Strengthening	Thermally Strengthened
Touch Controller	EXC81H84
Touch Interface	USB
Touch Resolution RX	53
Touch Resolution TX	30
Optical Bonding	Clear Bond®

ENVIRONMENTAL CONDITIONS

Operation Temperature	-20°C to 70°C
Storage Temperature	-20°C to 70°C
Humidity Range	10% to 90%

CERTIFICATIONS

CE Certificate	Yes
FCC Certificate	Yes

CHASSIS

Case Design	SS-IP69K
IP Protection	Full IP69K
Case Color	Silver
Case Finish	Brushed
Case Material	Stainless Steel
Case size L × W × H [mm]	384.2 × 209.0 × 56.5
Mounting	VESA 100 × 100

ACCESSORIES

Power Adapter & DC-In/Touch/COM IP69K cable	Yes (3030517364)
HDMI IP69K Cable [2m]	Yes (3030520743)
Short Instruction manual	Yes

INTENDED USE/APPLICATION

The device is to be used as (touchscreen) display for semi-outdoor and indoor use as control panel, digital signage, way-finding, POS and similar applications.

Direct sunlight might increase the device temperature beyond the allowed storage and operation conditions. Therefore the devices must be protected against direct sunlight. Devices operated or stored outside the specified temperature ranges are not covered by warranty. This IP69K version is also capable to withstand high-pressure and high-temperature water jets without any issues.

POWER

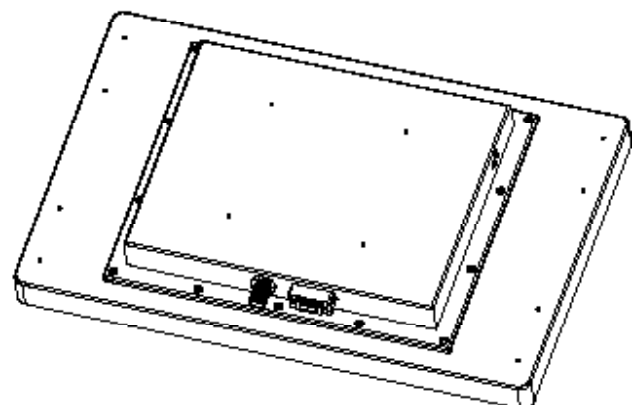
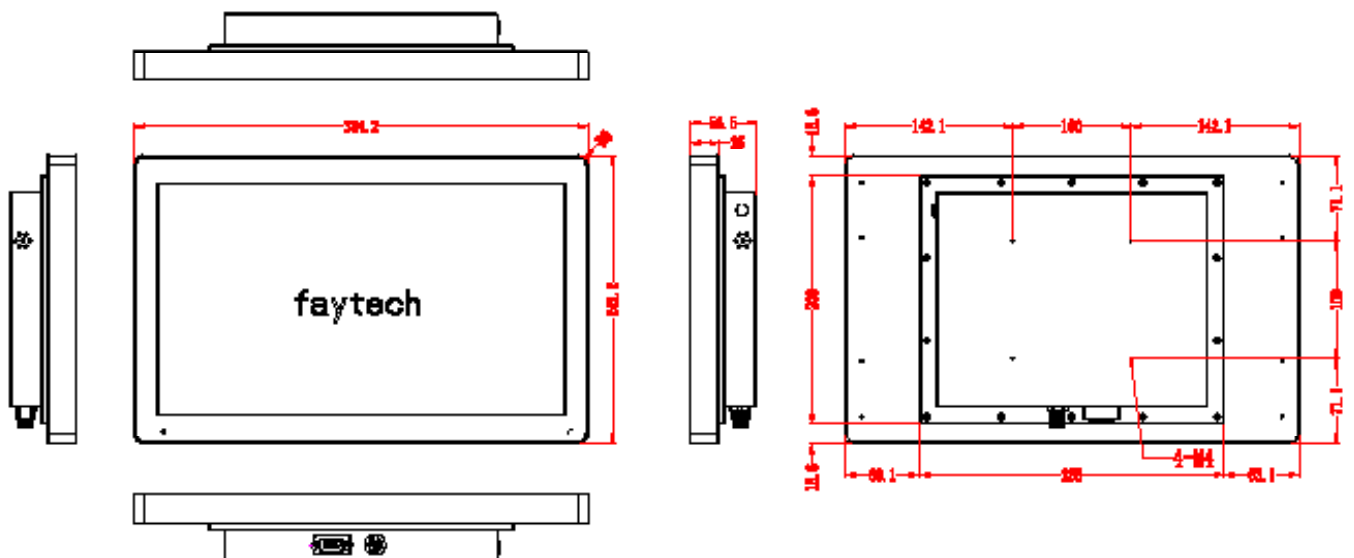
Power Indicator	Green LED
Working Power	9-36V
Power Consumption	21W
Stand-By Consumption	<1W

WEIGHT & PACKAGING

Net Weight	~6.20 kg est.
Gross Weight	~6.70 kg est. (incl. Cartonage)
Packaging Material	100% recyclable cardboard and polyethylene (PE)
Packaging Size L x W x H [mm]	560.0 x 345.0 x 110.0

DIMENSIONS

15.6" IP69K CAPACITIVE TOUCH MONITOR



UPDATE NOTES:

Version:	Changes:
v1	First version