

FT156TMIP65HB

v1: GL: 3030523940 | EU: 4010083385



Pictures show sample configurations, real product may vary.

## DISPLAY

Display Size [inch]	15.6
Aspect Ratio	16 : 9
Resolution	1920 × 1080
Active Area [mm]	344.16 × 193.59
Brightness [cd/m²]	1000
Contrast Ratio	800 : 1
LED life time [h]	100,000
Viewing Angle [°]	170 / 170
Display Interface	LVDS

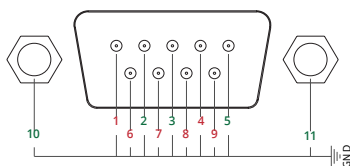
## PC/MONITOR SYSTEM

Monitor Controller	Realtek® RTD2556T
Monitor Firmware	Standard
Loudspeaker	2× 1.5W
HDMI	1
DP	1
VGA	1
Audio In	1
USB-B (touch)	1
Serial Port RS232 (RX / TX only)	1
Ambient Light Sensor	1

Brightness, Contrast, Screen Setting, Color Temp, Color Effect, Language, Reset, Auto Adjust (see instruction manual for full details)

Adjustable Features

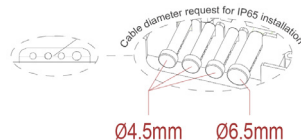
## SERIAL (RS232) PIN DEFINITION



2	RXD1
3	TXD1
5	GND
10	GND
11	GND

## IP65 SEALING

Above connectors are sealed behind the back protection plate, with unique IP65 sealing for standard cables.



## TOUCH PANEL

Touch Type	Projected Capacitive 10-point Multi-touch
Printing Type	Ceramic
Glass Thickness [mm]	2.0
Cover Glass Surface Treatment	AG (chemical etching)
IK Protection	IK08
Printing Color	RAL9004 (Black)
Strengthening	Thermally Strengthened
Touch Controller	EXC81H84
Touch Interface	USB
Touch Resolution RX	53
Touch Resolution TX	30
Optical Bonding	Clear Bond®

## ENVIRONMENTAL CONDITIONS

Operation Temperature	-20°C to 70°C
Storage Temperature	-20°C to 70°C
Humidity Range	10% to 90%

## CERTIFICATIONS

CE Conform	Yes
FCC Conform	Yes

## CHASSIS

Case Design	SS-IP65
IP Protection	Full IP65
Case Color	Silver
Case Finish	Brushed
Case Material	Stainless Steel
Case size L × W × H [mm]	384.2 × 242.2 × 60.0
Mounting	VESA 100 × 100

## ACCESSORIES

Power Adapter	100-240V ACDC active switching; 12V DC-Out
USB-Touch Cable	Yes
Short Instruction manual	Yes

## POWER

Power Indicator	Green LED
Working Power	9-36V
Power Consumption	21W
Stand-By Consumption	<1W

## INTENDED USE/APPLICATION

The device is to be used as (touchscreen) display for semi-outdoor and indoor use as control panel, digital signage, way-finding, POS and similar applications.

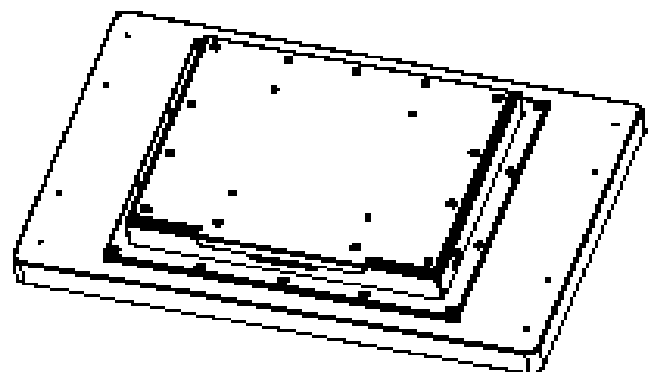
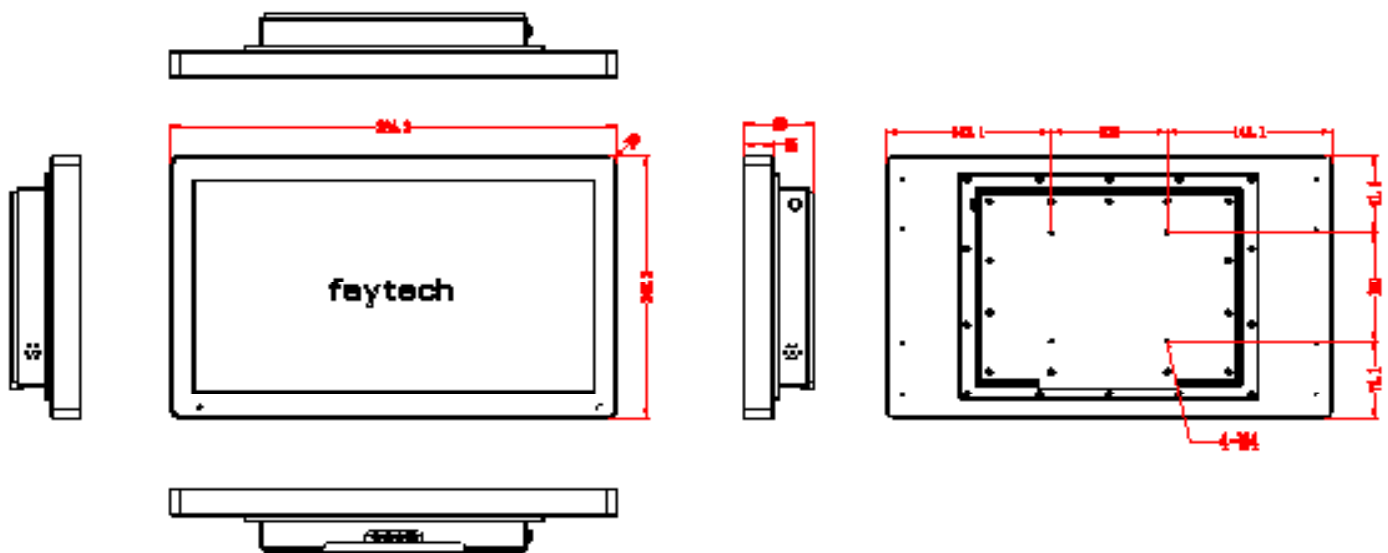
Direct sunlight might increase the device temperature beyond the allowed storage and operation conditions. Therefore the devices must be protected against direct sunlight. Devices operated or stored outside the specified temperature ranges are not covered by warranty.

## WEIGHT & PACKAGING

Net Weight	~6.70 kg est.
Gross Weight	~7.20 kg est. (incl. Cartonage)
Packaging Material	100% recyclable cardboard and polyethylene (PE)
Packaging Size L x W x H [mm]	560.0 x 345.0 x 110.0

## DIMENSIONS

### 15.6" IP65 CAPACITIVE TOUCH MONITOR



## UPDATE NOTES:

Version:	Changes:
v1	First version